



Rangliste

55. Internationaler Berner Damen-Cup

25. – 28. Januar 2024

www.youtube.com/user/curlingchampionstour





FINAL RANKING 55th Int. Bernese Ladies Cup
SCHLUSSRANGLISTE 55. Int. Berner Damen Cup
25.1. - 28.1.2024 CBA Berne (Switzerland)

1. KOR Gim

Eunji Gim (S) (Skip), Minji Kim (V), Yeji Seol, Yeeun Seol, Suji Kim(A), Dongho Shin (C)

2. KOR Kim

Eunjung Kim (S) (Skip), KyeongAe Kim (V), ChoHi Kim, SeonYeong Kim, YeongMi Kim (A), Myungsup Lim (C)

3. SUI Hürlimann

Corrie Hürlimann (S) (Skip), Celine Schwizgebel (V), Briar Schwaller Hürlimann, Marina Loertscher, Janet Hürlimann (C)

3. SUI Schwaller

Xenia Schwaller (S) (Skip), Selina Gafner, Fabienne Rieder (V), Selina Rychiger, Andreas Schwaller (C)

5. SUI Jäggi

Michèle Jäggi (S) (Skip), Irène Schori (V), Stefanie Berset, Lisa Muhmenthaler

5. SUI Tirinzoni

Alina Pätz (V) (Skip), Silvana Tirinzoni (S), Selina Witschonke, Carole Howald, Pierre Charette (C)

5. SWE Dryburgh

Moa Dryburgh (S) (Skip), Thea Orefjord (V), Moa Tjärnlund, Moa Nilsson, Sören Gran (C)

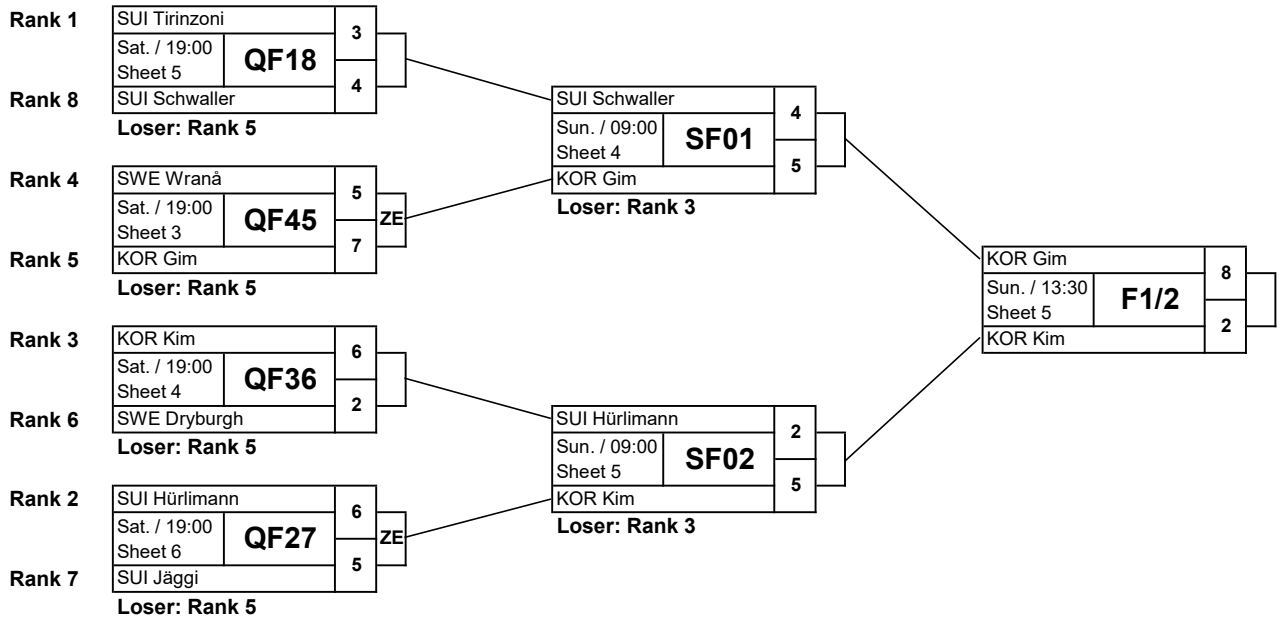
5. SWE Wranå

Isabella Wranå (S) (Skip), Almida de Val (V), Maria Larsson, Linda Stenlund, Margaretha Sigfridsson (C)



Playoffs

Group Game Ranking



Sheetzuteilungen können, wenn notwendig, geändert werden / Sheets may be changed if necessary

Spiele auf Sheets 4 und 5 werden live gestreamed / Games on sheets 4 and 5 are streamed live

Qualification Ranking

Team	Group	Points	W/L	DSC	Rank	Playoff
SUI Tirinzoni	A	10	1.00	32.90	1	x
SUI Hürlimann	B	8	0.80	9.95	2	x
KOR Kim	C	8	0.80	16.60	3	x
SWE Wranå	C	8	0.80	18.63	4	x
KOR Gim	B	8	0.80	26.40	5	x
SWE Dryburgh	A	6	0.60	10.50	6	x
SUI Jäggi	C	6	0.60	13.78	7	x
SUI Schwaller	A	6	0.60	18.05	8	x
SUI Héritier	B	6	0.60	41.13	9	
SCO Henderson	A	6	0.60	50.43	10	
GER Abbes	B	4	0.40	4.20	11	
CZE Kubeskova	C	4	0.40	17.33	12	
ITA Constantini	B	4	0.40	43.90	13	
GER Messenzehl	C	4	0.40	45.15	14	
EST Turmann	A	2	0.20	38.03	15	
SUI Oberson	A	0	0.00	14.55	16	
AUT Augustin	B	0	0.00	15.18	17	
SUI Blackham	C	0	0.00	83.70	18	



Qualification Games (by Groups)

Draw #1		Draw #2		Draw #3		Draw #4		Draw #5		Draw #6	
SUI Tirinzoni	12	SUI Tirinzoni	8	SWE Dryburgh	9	SUI Tirinzoni	7	SUI Tirinzoni	6	SUI Tirinzoni	8
Thu. / 18:00	A116	Fri. / 09:00	A515	Fri. / 14:00	A235	Fri. / 19:00	A313	Sat. / 09:00	A212	Sat. / 14:00	A414
Sheet 4		2		Sheet 7		2		Sheet 4		3	
SUI Oberson		EST Turmann		EST Turmann		SWE Dryburgh		SUI Schwaller		SUI Schwaller	
SUI Schwaller	7	SUI Schwaller	6	SCO Henderson	10	SUI Schwaller	6	SCO Henderson	7	SUI Schwaller	4
Thu. / 18:00	A125	Fri. / 09:00	A524	Fri. / 14:00	A246	Fri. / 19:00	A326	Sat. / 09:00	A345	Sat. / 14:00	A423
Sheet 3		4		Sheet 5		4		Sheet 7		2	
EST Turmann		SCO Henderson		SUI Oberson		SUI Oberson		EST Turmann		SWE Dryburgh	
SWE Dryburgh	5	SWE Dryburgh	6	KOR Gim	5	ITA Constantini	9	KOR Gim	6	EST Turmann	10
Thu. / 18:00	A134	Fri. / 09:00	A536	Fri. / 14:00	B313	Fri. / 19:00	B326	Sat. / 09:00	B414	Sat. / 14:00	A456
Sheet 8		6		Sheet 2		3		Sheet 6		7	
SCO Henderson		SUI Oberson		SUI Hürlimann		AUT Augustin		GER Abbes		SUI Oberson	
KOR Gim	9	KOR Gim	5	ITA Constantini	5	GER Abbes	7	ITA Constantini	5	KOR Gim	5
Thu. / 18:00	B116	Fri. / 09:00	B212	Fri. / 14:00	B524	Fri. / 19:00	B345	Sat. / 09:00	B423	Sat. / 14:00	B515
Sheet 7		1		Sheet 4		3		Sheet 3		2	
AUT Augustin		ITA Constantini		GER Abbes		SUI Héritier		SUI Hürlimann		SUI Héritier	
ITA Constantini	3	SUI Hürlimann	8	SWE Wranå	6	SWE Wranå	6	SUI Héritier	6	SUI Hürlimann	10
Thu. / 18:00	B125	Fri. / 09:00	B235	Fri. / 14:00	C212	Fri. / 19:00	C313	Sat. / 09:00	B456	Sat. / 14:00	B536
Sheet 5		7		Sheet 8		9		Sheet 2		3	
SUI Héritier		SUI Héritier		KOR Kim		SUI Jäggi		AUT Augustin		AUT Augustin	
SUI Hürlimann	5	GER Abbes	7	SUI Jäggi	7	KOR Kim	6	SWE Wranå	4	SWE Wranå	5
Thu. / 18:00	B134	Fri. / 09:00	B246	Fri. / 14:00	C235	Fri. / 19:00	C326	Sat. / 09:00	C515	Sat. / 14:00	C414
Sheet 1		1		Sheet 6		2		Sheet 1		4	
GER Abbes		AUT Augustin		GER Messenzehl		SUI Blackham		GER Messenzehl		CZE Kubeskova	
KOR Kim	7	SWE Wranå	11	CZE Kubeskova	7			KOR Kim	6	KOR Kim	9
Thu. / 18:00	C125	Fri. / 09:00	C116	Fri. / 14:00	C246	Fri. / 19:00		Sat. / 09:00	C524	Sat. / 14:00	C423
Sheet 6		6		Sheet 1		2		Sheet 5		4	
GER Messenzehl		SUI Blackham		SUI Blackham				CZE Kubeskova		SUI Jäggi	
SUI Jäggi	4	CZE Kubeskova	7					SUI Jäggi	9	GER Messenzehl	10
Thu. / 18:00	C134	Fri. / 09:00	C345	Fri. / 14:00		Fri. / 19:00		Sat. / 09:00	C536	Sat. / 14:00	C456
Sheet 2		2		Sheet 3		4		Sheet 8			
CZE Kubeskova		GER Messenzehl						SUI Blackham		SUI Blackham	

Sheetzuteilungen können, wenn notwendig, geändert werden / Sheets may be changed if necessary

Spiele auf Sheets 4 und 5 werden live gestreamed / Games on sheets 4 and 5 are streamed live



Groups & DSC

Nr.	Name
TA1	SUI Tirinzoni
TA2	SUI Schwaller
TA3	SWE Dryburgh
TA4	SCO Henderson
TA5	EST Turmann
TA6	SUI Oberson

Nr.	Name
TB1	KOR Gim
TB2	ITA Constantini
TB3	SUI Hürlimann
TB4	GER Abbes
TB5	SUI Héritier
TB6	AUT Augustin

Nr.	Name
TC1	SWE Wranå
TC2	KOR Kim
TC3	SUI Jäggi
TC4	CZE Kubeskova
TC5	GER Messenzehl
TC6	SUI Blackham

DSC (based on best 4 results)

LSD Measurements

Thu 18:00	Fri 09:00	Fri 14:00	Fri 19:00	Sat 09:00	Sat 14:00	Value	Rank
Draw 1	Draw 2	Draw 3	Draw 4	Draw 5	Draw 6		
72.7	21.5		41.9	20.1	48.1	32.90	12
8.7	26.7		26.1	10.7	125.4	18.05	9
0.0	27.2	43.7	8.4		6.4	10.50	3
117.5	185.4	29.5		12.4	42.3	50.43	17
104.2	22.2	6.7		19.0	123.5	38.03	13
185.4	54.6	0.0	0.0		3.6	14.55	5
Draw 1	Draw 2	Draw 3	Draw 4	Draw 5	Draw 6	Value	Rank
40.5	48.2	0.0		113.7	16.9	26.40	11
71.5	97.5	0.0	115.5	6.6		43.90	15
12.8	0.0	8.1		18.9	47.8	9.95	2
185.4	2.0	4.3	10.0	0.5		4.20	1
38.4	97.6		67.9	7.9	50.3	41.13	14
16.0	25.2		8.9	142.1	10.6	15.18	6
Draw 1	Draw 2	Draw 3	Draw 4	Draw 5	Draw 6	Value	Rank
	20.2	16.0	40.4	8.6	29.7	18.63	10
14.5		4.8	0.0	56.2	47.1	16.60	7
168.0		6.2	46.0	0.0	2.9	13.78	4
27.7	16.1	65.5		25.5	0.0	17.33	8
175.7	101.1	18.1		34.8	26.6	45.15	16
	182.5	6.9	93.3	185.4	52.1	83.70	18



TEAM LIST 55th Int. Bernese Ladies Cup
TEILNEHMERVERZEICHNIS 55. Int. Berner Damen Cup
25.1. - 28.1.2024 CBA Berne (Switzerland)

AUT Augustin	
Nr. 4:	Verena Pflugler (S)
Nr. 3:	Hannah Augustin (V)
Nr. 2:	Johanna Hoess
Nr. 1:	Julia Kotek
Altern.:	
Altern.:	

CZE Kubeskova	
Nr. 4:	Alzbeta Zelingrova (S)
Nr. 3:	Michaela Baudysova
Nr. 2:	Karolina Spundova (V)
Nr. 1:	Aneta Mullernova
Altern.:	Karel Kubeska (C)
Altern.:	

EST Turmann	
Nr. 4:	Erika Tuvike
Nr. 3:	Kerli Laidalu (V)
Nr. 2:	Liisa Turmann (S)
Nr. 1:	Heili Grossman
Altern.:	
Altern.:	

GER Abbes	
Nr. 4:	Emira Abbes (V)
Nr. 3:	Mia Höhne (S)
Nr. 2:	Lena Kapp
Nr. 1:	Maike Beer
Altern.:	
Altern.:	

GER Messenzehl	
Nr. 4:	Kim Sutor (V)
Nr. 3:	Sara Messenzehl (S)
Nr. 2:	Zoé Antes (B)
Nr. 1:	Daniel Charette (C)
Altern.:	
Altern.:	

ITA Constantini	
Nr. 4:	Stefania Constantini (S)
Nr. 3:	Elena Mathis
Nr. 2:	Angela Romei
Nr. 1:	Marta Lo Deserto (V)
Altern.:	Giulia Zardini Lacedelli
Altern.:	

KOR Gim	
Nr. 4:	Eunji Gim (S)
Nr. 3:	Minji Kim (V)
Nr. 2:	Yeji Seol
Nr. 1:	Yeeun Seol
Altern.:	Suji Kim(A)
Altern.:	Dongho Shin (C)

KOR Kim	
Nr. 4:	Eunjung Kim (S)
Nr. 3:	KyeongAe Kim (V)
Nr. 2:	ChoHi Kim
Nr. 1:	SeonYeong Kim
Altern.:	YeongMi Kim (A)
Altern.:	Myungsup Lim (C)

SCO Henderson	
Nr. 4:	Fay Henderson (S)
Nr. 3:	Hailey Duff (V)
Nr. 2:	Amy MacDonald
Nr. 1:	Katie McMillan
Altern.:	
Altern.:	

SUI Blackham	
Nr. 4:	Kathrine Blackham (S)
Nr. 3:	Jana Hoffmann (V)
Nr. 2:	Johanna Blackham
Nr. 1:	Anika Meier
Altern.:	Yves Gigandet (C)
Altern.:	

SUI Héritier	
Nr. 4:	Roxane Héritier (S)
Nr. 3:	Melina Bezzola
Nr. 2:	Anna Gut
Nr. 1:	Nadine Bärtschiger (V)
Altern.:	
Altern.:	

SUI Hürlimann	
Nr. 4:	Corrie Hürlimann (S)
Nr. 3:	Celine Schwizgebel (V)
Nr. 2:	Briar Schwaller Hürlimann
Nr. 1:	Marina Loertscher
Altern.:	Janet Hürlimann (C)
Altern.:	

SUI Jäggi	
Nr. 4:	Michèle Jäggi (S)
Nr. 3:	Irène Schori (V)
Nr. 2:	Stefanie Berset
Nr. 1:	Lisa Muhmenthaler
Altern.:	
Altern.:	

SUI Oberson	
Nr. 4:	Ariane Oberson (S)
Nr. 3:	Laurane Flückiger Jenni (V)
Nr. 2:	Lia Germann
Nr. 1:	Enya Caccivio (A)
Altern.:	Benno Oberson (C)
Altern.:	

SUI Schwaller	
Nr. 4:	Xenia Schwaller (S)
Nr. 3:	Selina Gafner
Nr. 2:	Fabienne Rieder (V)
Nr. 1:	Selina Rychiger
Altern.:	Andreas Schwaller (C)
Altern.:	

SUI Tirinzoni	
Nr. 4:	Alina Pätz (V)
Nr. 3:	Silvana Tirinzoni (S)
Nr. 2:	Selina Witschonke
Nr. 1:	Carole Howald
Altern.:	Pierre Charette (C)
Altern.:	

SWE Dryburgh	
Nr. 4:	Moa Dryburgh (S)
Nr. 3:	Thea Orefjord (V)
Nr. 2:	Moa Tjärnlund
Nr. 1:	Moa Nilsson
Altern.:	Sören Gran (C)
Altern.:	

SWE Wranå	
Nr. 4:	Isabella Wranå (S)
Nr. 3:	Almida de Val (V)
Nr. 2:	Maria Larsson
Nr. 1:	Linda Stenlund
Altern.:	Margaretha Sigfridsson (C)
Altern.:	